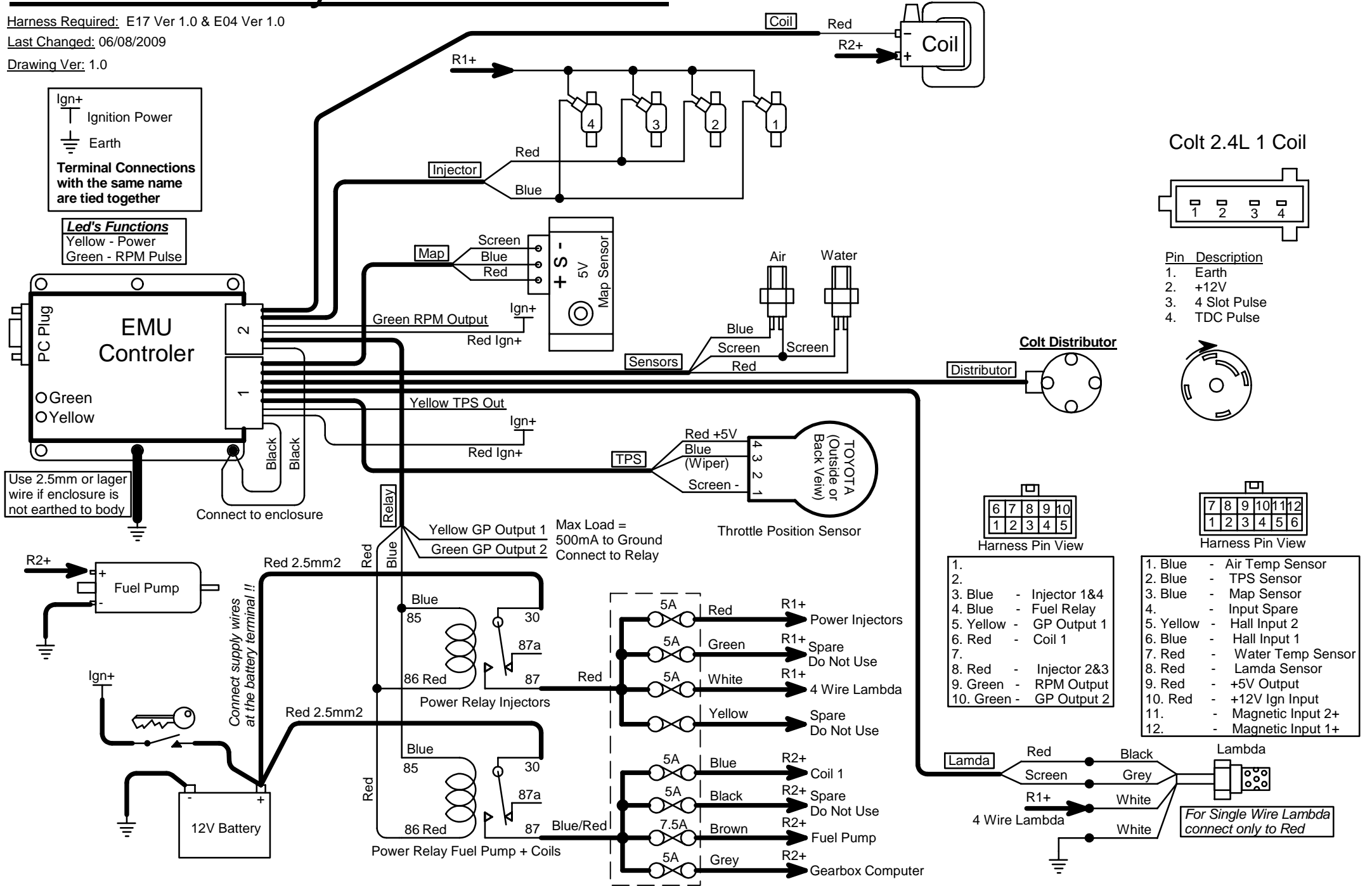


Colt 2.4L 4Cyl 1Coil 5V Hall

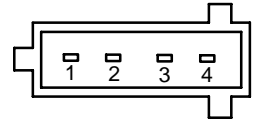
Harness Required: E17 Ver 1.0 & E04 Ver 1.0

Last Changed: 06/08/2009

Drawing Ver: 1.0

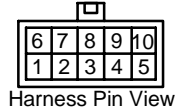


Colt 2.4L 1 Coil

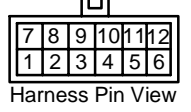


Pin Description

- 1. Earth
- 2. +12V
- 3. 4 Slot Pulse
- 4. TDC Pulse



- 1. 1. Blue - Air Temp Sensor
- 2. 2. Blue - TPS Sensor
- 3. 3. Blue - Injector 1&4
- 4. 4. Blue - Fuel Relay
- 5. 5. Yellow - GP Output 1
- 6. 6. Red - Coil 1
- 7. 7. Red - Injector 2&3
- 8. 8. Green - RPM Output
- 9. 9. Green - GP Output 2
- 10. 10. Green - GP Output 2



- 1. 1. Blue - Air Temp Sensor
- 2. 2. Blue - TPS Sensor
- 3. 3. Blue - Map Sensor
- 4. 4. - Input Spare
- 5. 5. Yellow - GP Input 2
- 6. 6. Blue - Hall Input 1
- 7. 7. Red - Water Temp Sensor
- 8. 8. Red - Lambda Sensor
- 9. 9. Red - +5V Output
- 10. 10. Red - +12V Ign Input
- 11. 11. - Magnetic Input 2+
- 12. 12. - Magnetic Input 1+